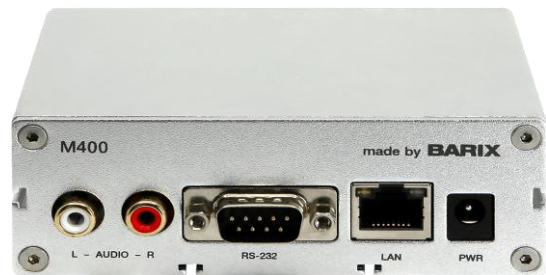


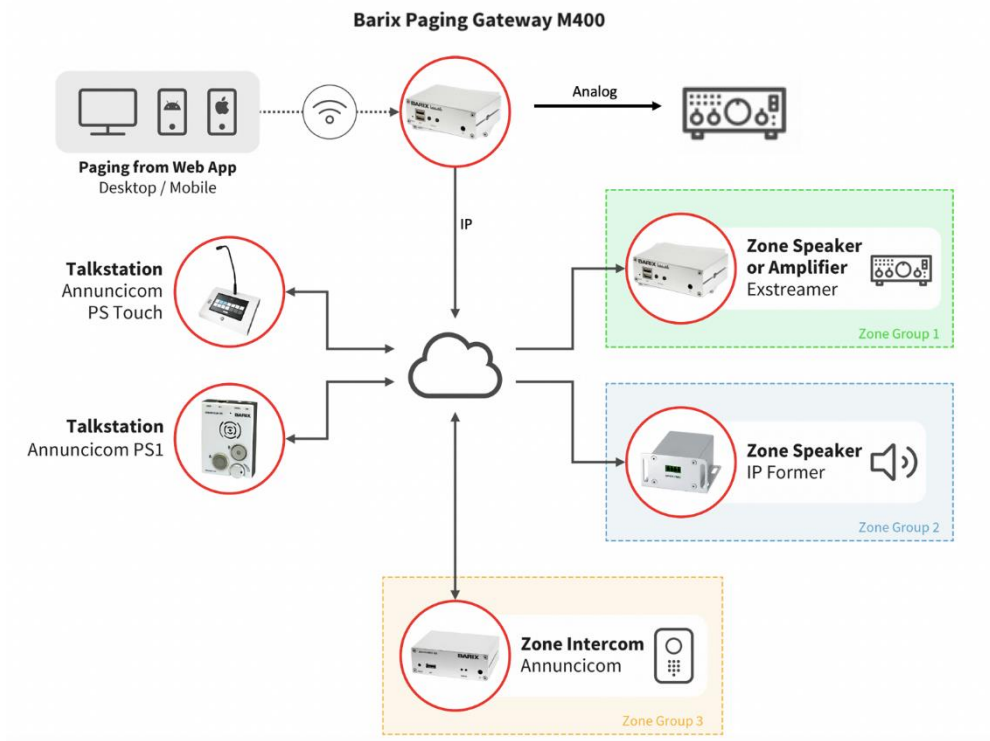
BARIX

Paging Gateway M400

Bridges Smartphones, Computer and Tablet with Analog and IP Paging Systems



The Barix Paging Gateway allows to page from mobile phones and from any computer or tablet on the local network. It easily integrates with most existing analog paging systems. The web app provides a simple to use interface that allows paging into any paging system, even fully analog ones (no application needs to be installed). Access protection makes sure, only persons allowed to page, can use the system. The Paging Gateway M400 can also be used as a zone-based paging station. The user selects the zones he/she wants to page to and the fully IP based IC paging solution routes the paging to the right speakers or zone amplifiers.



Applications

- IP Paging Notification
- Zone-Based Paging
- Paging from Mobile Paging Web Ap

Features

- L-R Line Out on RCA Connectors (unbalanced)
- Multi-level message priority
- G.711 over RTP

Technical Specifications

Operation System

- Embedded Linux based on Yocto

Network Interfaces

- 1 x Ethernet (RJ45) Interface
- IPv4, IPv6 capable
- 10/100 fdx/hdx, auto negotiation
- TCP/IP, UDP, RTP, SRTP SIP, SIPS, HTTP, HTTPS, DHCP, mDNS/DNS-SD (Avahi), NTP
- BARP

CPU / Memory

- Barix IPAM400 Processor Module
- Quad-Core ARM Cortex™ -A7
- 2GB DDR3 SDRAM
- 16MB SPI Flash
- 8GB SD-Card Flash

Audio Formats

- G.711 (uLaw/aLaw), 8kHz and 24kHz

Audio Interface

- unbalanced L-R Line level output on RCA connectors
- Headphone connector on the front panel

User Interface

- Mobile Paging Web App
- Web interface for configuration
- 2 x Multicolor LED Status indicators
- Reset & Factory Defaults Button

Power Requirements

- 5VDC, 10W maximum on 6.5x1.5mm barrel connector (positive polarity)

MTBF

- 200'000h

Measurement

- 108x38x78.7mm (4.25x1.5x3.1 inch)

Weight

- 250g

Warranty

- Two years

Environmental

Operating Environment

0 to +50°C / 32 to 122°F

0 - 70% relative humidity, non-condensing

Storage Conditions

-20 to +70°C / -4 to 158°F

0 - 70% relative humidity, non-condensing

Certifications

CE, RoHS, FCC

Ordering Information

2021.9347P Paging Gateway M400 EU Packaging

2021.9348P Paging Gateway M400 US Packaging

2021.9349P Paging Gateway M400 UK Packaging

2021.9350P Paging Gateway M400 NoPSU Packaging

Barix AG

Limmatstrasse 21, 8005 Zürich, Switzerland

Phone: +41 434 33 22 11

www.barix.com



Direct Link

© Barix AG 2021, all rights reserved. All information is subject to change without notice.

All mentioned trademarks belong to their respective owners and are used for reference only. Product Sheet V1.0



For commercial related questions (distributors contacts, price list, business opportunities) please contact: sales@barix.com



For technical inquiries (problem reports, request for documentation, etc.) please contact: support@barix.com