

# AC INFINITY

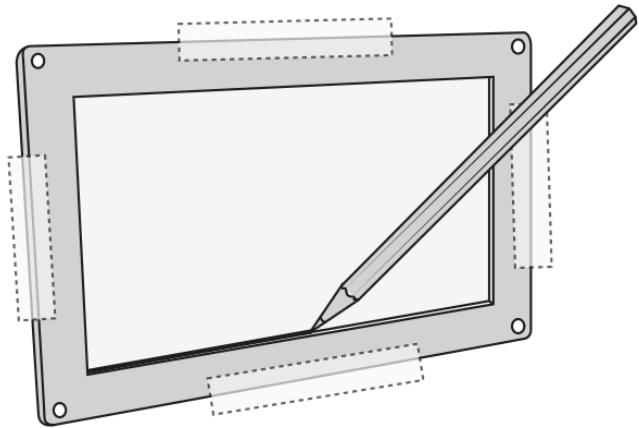
## MOUNTING TEMPLATE

CONTROLLER 2

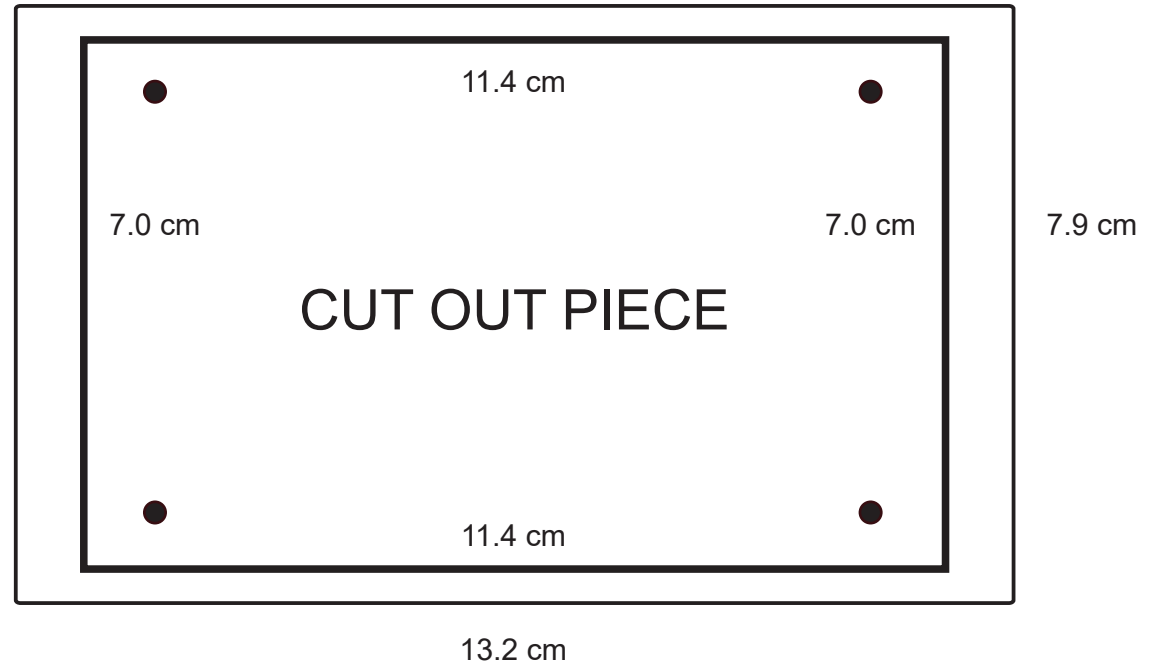
MODEL AI-ATC

1. This product includes plastic tracing stencils which are recommended to be used for accuracy.
2. When printing this PDF, please check printer settings to make sure the print is not being scaled.
3. Please measure the lines on this page with a ruler to check if it has been scaled by the printer.
4. The thicker lines indicate where to cut. The lighter lines display where the mounting plate will cover.
5. Screw holes are approximately 2 to 3 mm diameters in size.
6. If you have any questions or concerns, our contact information can be found on [www.acinfinity.com](http://www.acinfinity.com)

**This product includes plastic tracing stencils which are recommended to be used for accuracy. This digital template should only be used as a reference point as product specifications are subject to change without notice. AC Infinity does not guarantee the accuracy of information provided on this template.**



7.9 cm



13.2 cm

11.4 cm

7.0 cm

7.0 cm

7.9 cm

CUT OUT PIECE

11.4 cm

13.2 cm