

Dimmer Module

KASTA-D300IBH

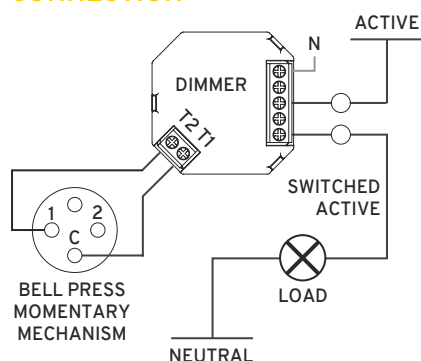


Smart dimmer module that can be fitted behind a standard wall switch plate and connects to a momentary push button mechanism

FEATURES

- Phase cut trailing edge (TE) dimmer
- 5-wire connection for power, load and momentary push button mechanism
- Reliable Bluetooth® mesh network connectivity to all KASTA devices
- 8-way multiway control
- Short press for ON/OFF control
- Long press for dimming control
- Over-current protection
- Supports core KASTA functionality - control devices, groups, scenes, timers and scheduling
- Suits all Australian standard wall plates using a momentary mechanism
- iOS and Android app setup and control
- 3 year warranty

CONNECTION



SPECIFICATIONS

Power Supply	220-240V a.c. 50Hz
Operating Ambient Temperature	-20 to 40°C
IP Rating	IP20
Thermal Derating	25 to 40°C (300W-165W)
Physical Connection Type	Terminals
Wiring Connections	Active, Neutral, Load & Momentary Mechanism
Momentary Input (T1/T2)	Local signal input only (not 240V a.c.) Max. wiring length between T1/T2 and momentary mechanism is 10m
LED Load Wattage	2W to 300W
Dimming Method	Phase Cut Trailing Edge
Dimming Range	2-100%
Multi-gang Derating	2-225W, 3-165W @ 25°C
Housing Material	Polycarbonate (PC)
Standards Complied	CoS SAA 183649, AS/NZS 60669.2.1, AS/NZS 60669.1, AS/NZS CISPR 15, AS/NZS 4268

DIMENSIONS

