

Relay Surface Socket

KBSKTR2400



Smart socket plug base that can be ceiling or surface mounted

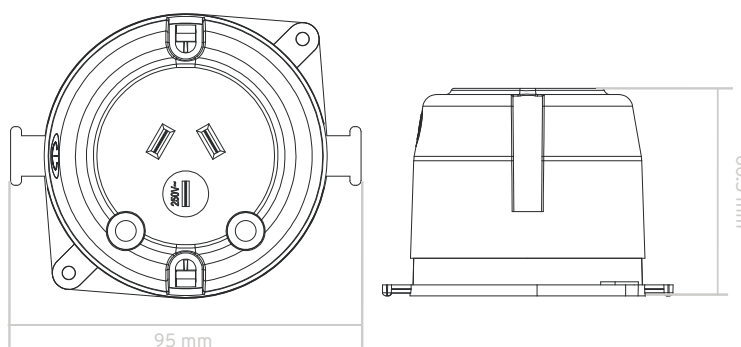
FEATURES

- Max. load 2400W or 100W motor
- Suits 3 pin plug
- Reliable Bluetooth® mesh network connectivity to all KASTA devices
- Energy monitoring function
- Can connect up to multiple circuits (within rated power rating)
- LED status indicator
- Reset button
- IPA stud provision for circuit identification
- Supports core KASTA functionality - control devices, groups, scenes, timers and scheduling
- Striking colour for easy identification in roof space
- Transparent nail plate for easy inspection of connections
- Multiple fixing points including external tabs for cable ties, clouts and screws
- Combination Flat & Philips terminal head screws
- Terminals to accept up to 4 x 2.5mm² cables
- iOS and Android app setup and control
- 3 year warranty

SPECIFICATIONS

Power Supply	220-240V a.c. 50Hz
Operating Ambient Temperature	-20 to 40°C
IP Rating	IP20
Thermal Derating	40 to 60°C (2400W-1200W)
Wiring Connections	Active, Load, Neutral, Earth & Loop
Load Wattage	2400W, 10A*, M.40
Housing Material	Polycarbonate (PC)
Standards Complied	AS/NZS 3112, AS/NZS 3100, AS/NZS 60669.2.1, AS/NZS 60669.1, AS/NZS CISPR 15

DIMENSIONS



CONNECTION

