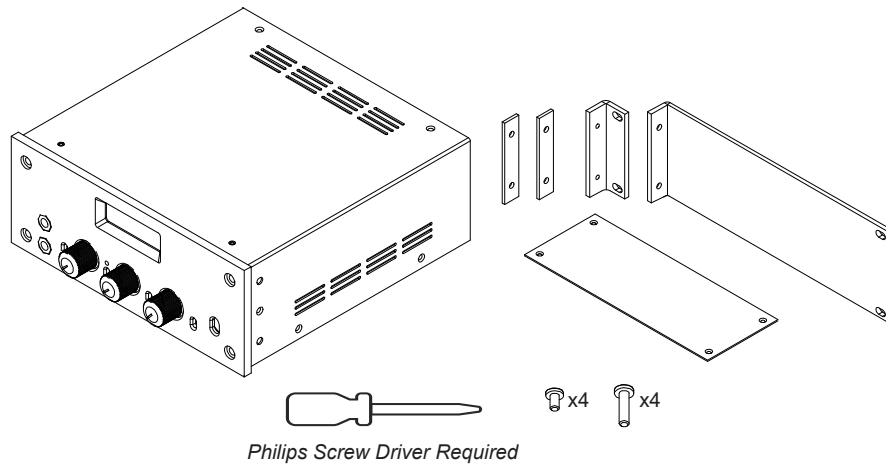
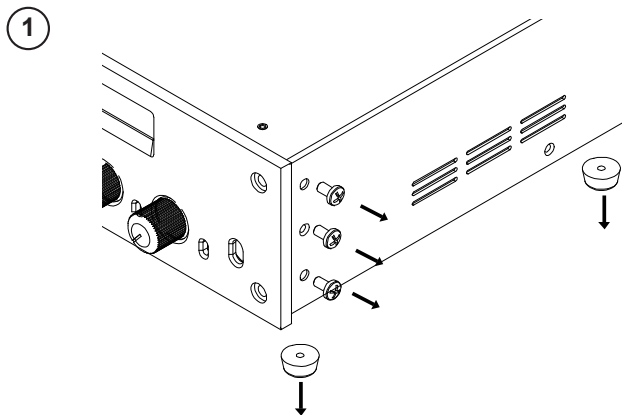


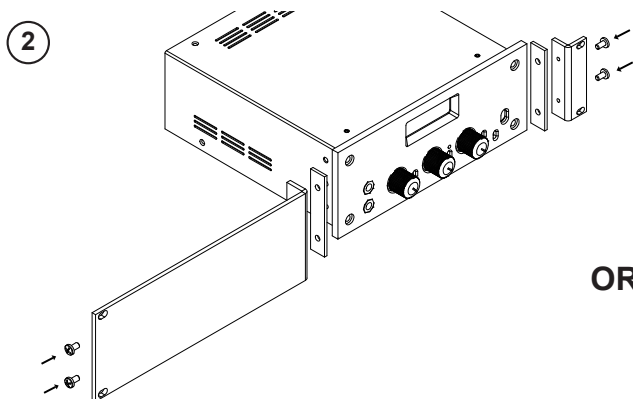
HOW TO ATTACH RACK EARS TO THE HDI



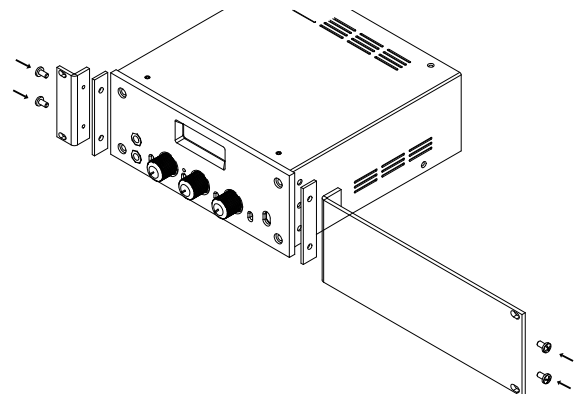
MOUNTING THE HDI IN A 19" RACK



- Remove 3 screws at both sides of the front panel. (6 screws in total).
- Remove all 4 rubber feet from the HDI.

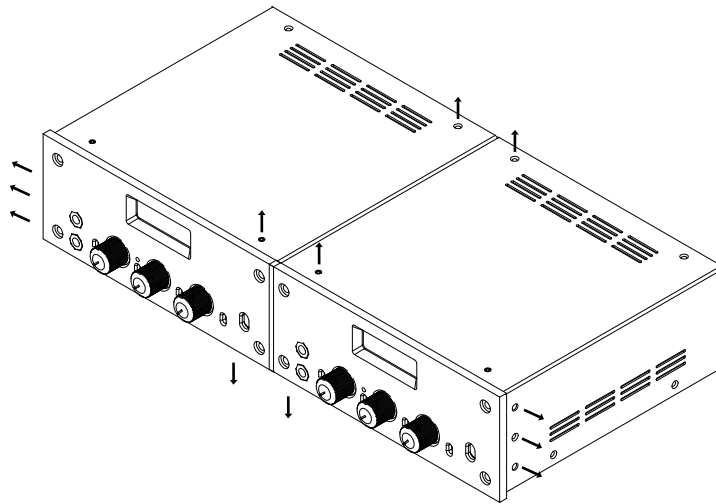


OR



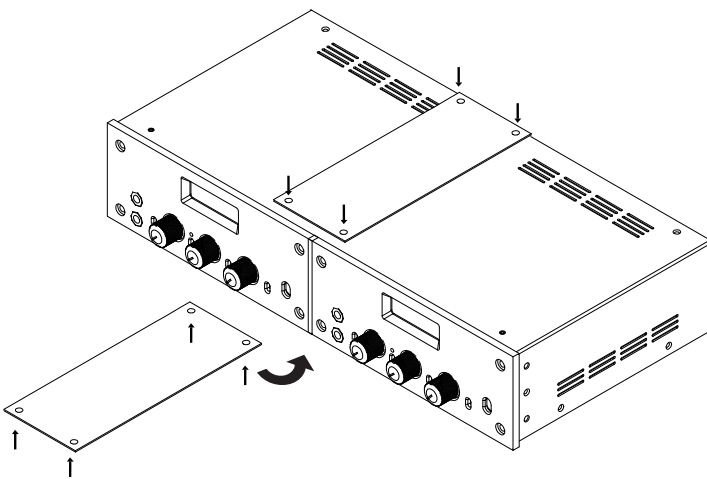
PREPARING 2 HDI's FOR RACK MOUNTING

1



- Remove 3 screws from the outer side of each HDI (6 screws in total).
- Remove 2 screws from the top of each HDI and 2 screws from the bottom.
- Remove all 8 HDI Rubber feet.

2



- Use 8 small screws to secure the HDI's to each other with the large rectangular braces on the top and bottom of the units.

3

- Align two short rack ears on the outer side of each HDI, with a metal spacer in between each piece.
- Use 4 large screws to attach the rack ears to the side of each HDI.

