

# PXE-DCM+

## PixiePlus™ Device Control Module

Single-gang IR/RS232 control system for audio/visual systems.

- ▼ Single-Gang Decora form factor
- ▼ Learns IR codes from almost any remote
- ▼ Wireless cloning allows quick programming of many units



PXE-DCM+  
Pictured with Leviton Decora™ wall plate (not included).

- ▼ Unique modular design allows for control of Power, Source, Volume and more
- ▼ Elegant backlit LEDs in a variety of colors
- ▼ A single button may be programmed with multiple remote codes

### FEATURES

Also Available from SP Controls



PXE-DCM-RTC  
Real-Time Clock Module



PXE-PGM-TOOL  
Programming Wand



**Simple.  
Intuitive.  
Control.**

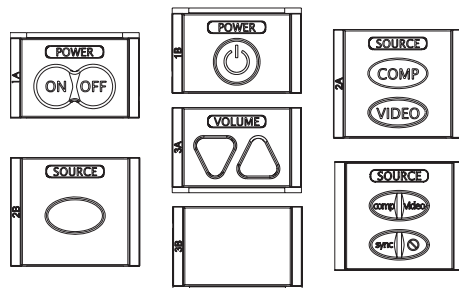
SP Controls, Inc.  
930 Linden Avenue  
South San Francisco  
California 94080  
phone: (877) 367-8444  
fax: (650) 392-7881  
email: help@spcontrols.com

The PixiePlus Device Control Module provides a simple, standardized control interface for projectors, monitors, display devices, or other AV devices in a compact single-gang form factor.

**A CUSTOMIZABLE INTERFACE** allows for a variety of configurations from two to eight total buttons. The unique design gives you the ability to tailor the control interface to

the exact requirements of the devices being controlled. This design not only provides a professional looking final product, but allows you to eliminate any unneeded buttons that may confuse the end user.

The following seven insert button modules are included with each PixiePlus. You choose the three insert module options that match your remote control design.



- ▼ If the device you are controlling has discrete power buttons, use the ON/OFF combination, otherwise, use the toggling power
- ▼ Depending on the configuration of the source inputs of your display, you can choose among these included source selection options
- ▼ Some displays have volume while others do not

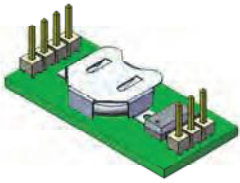
**ALTERNATE LEGENDS AVAILABLE** If your application requires different button legends, we have many alternate configurations available. If we don't have what your application requires, we can custom silkscreen the buttons to your exact specifications for a small fee.

**IR PROGRAMMING WITHOUT PC** With standalone IR learning, the PixiePlus can learn the IR remote control codes of your device in minutes. No programming is necessary, so leave the laptop at home.

**DUPLICATE ROOMS ARE A SNAP** Simply teach one PixiePlus the codes from the remote control, and any other PixiePlus will wirelessly clone its configuration in seconds.

**PROTECT YOUR SYSTEM FROM UNAUTHORIZED USE.** At your option, the PixiePlus can be configured to only allow user control after a security code has been entered. This security code is a sequence of button presses that you can configure to be any combination of keys.

# PXE-DCM+ PixiePlus™ Device Control Module



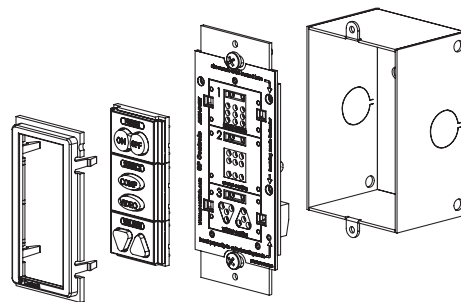
PXE-DCM-RTC  
Optional Real time clock module

**PROTECT YOUR INVESTMENT.** Display devices are expensive. If users inadvertently leave the display on, you will unnecessarily have costly lamp replacements. The PixiePlus offers three options for automatic shutdown of the device. If the display has discrete power commands (ON/OFF) the PixiePlus can be configured to turn the display off after a certain period of inactivity (based on time since the last key was pressed). If you purchase the optional real-time clock module the PixiePlus can be configured to turn off the device at an exact time of day, or a hybrid approach can be used that enables the automatic shutdown timer at a specific time of day giving you the best of both approaches. The real time clock module is accurate to within 1 minute/year, will keep time through power outages, and supports daylight saving time.

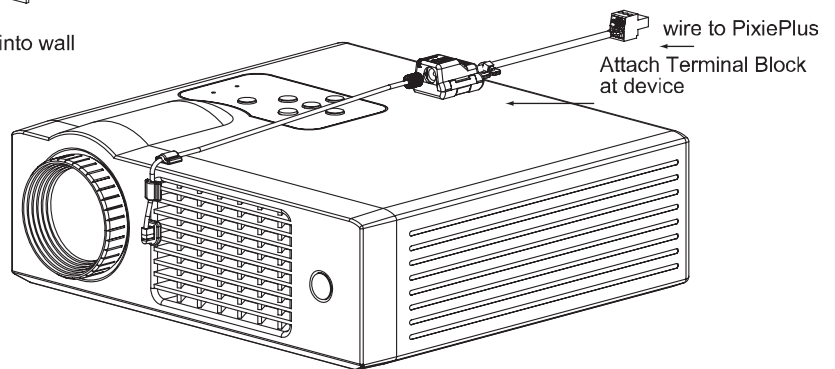
## FOR MORE COMPLEX CONFIGURATIONS.

To expand the already sophisticated PixiePlus for advanced features such as RS232 control, a programming wand (sold separately) connects to the PixiePlus through its IR interface. There is no need to remove the PixiePlus from the wall! The programming wand connects to your PC with USB and contains an application that allows you to perform more complex configurations, including specifying RS232 strings. Simply plug the programming wand into your PC and the application will start. Specify the codes to be sent for each button. Disconnect the programming wand and take it to the PixiePlus you wish to configure. Hold the wand up to the PixiePlus, press the trigger, and presto - you're done. Repeat for each room with same configuration (without having to carry your PC around)!

**EASY TO INSTALL.** The single-gang PixiePlus fits in a standard wall box with a Decora™ wallplate (not included). A three-conductor cable between the PixiePlus and the controlled device carries power and control to a supplied terminal block that allows RS232 and/or IR control. One block is included. Others may be added to control additional devices.



Insert PixiePlus into wall



**Simple.  
Intuitive.  
Control.**

SP Controls, Inc.  
930 Linden Avenue  
South San Francisco  
California 94080  
phone: (877) 367-8444  
fax: (650) 392-7881  
email: help@spcontrols.com

## TECHNICAL SPECIFICATIONS

Package Type:	Single-Gang Decora™ Mounting
Dimensions:	4.130" (h) x 1.745" (w) x .90" (d)
Weight (PCB with bezel and 3 insert modules):	2.5 oz
Power Supply:	6VDC, 300mA
Output Type:	IR Emitter & unidirectional RS232
Outboard Current-Limiting Resistor (IR Emitter):	150 ohm
Recommended Wire:	18- to 22-Gauge 3-conductor wire